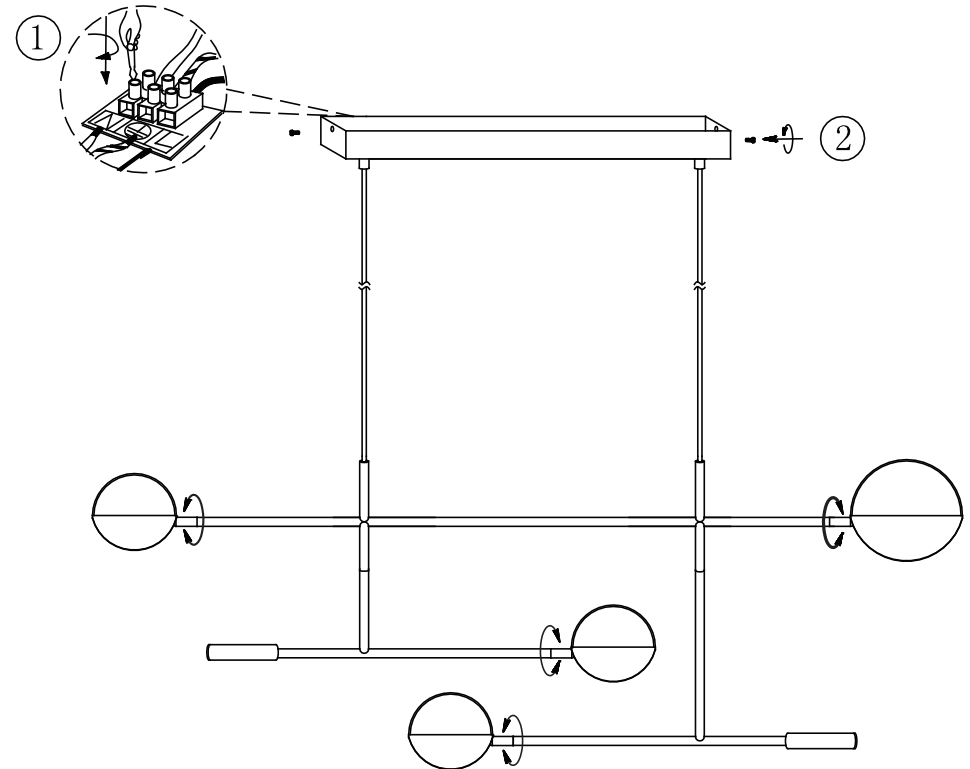
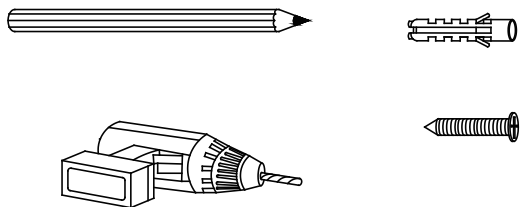


Tools and parts not included:

As wall and ceiling materials vary, raw plug for fixing to wall and ceiling are not included. For advice on suitable raw plugs, contact your local hardware store.



If the external flexible cable or cord of this luminaire is damaged, it shall be exclusively replaced by the manufacturer or his service agent or a similar qualified person in order to avoid a hazard.